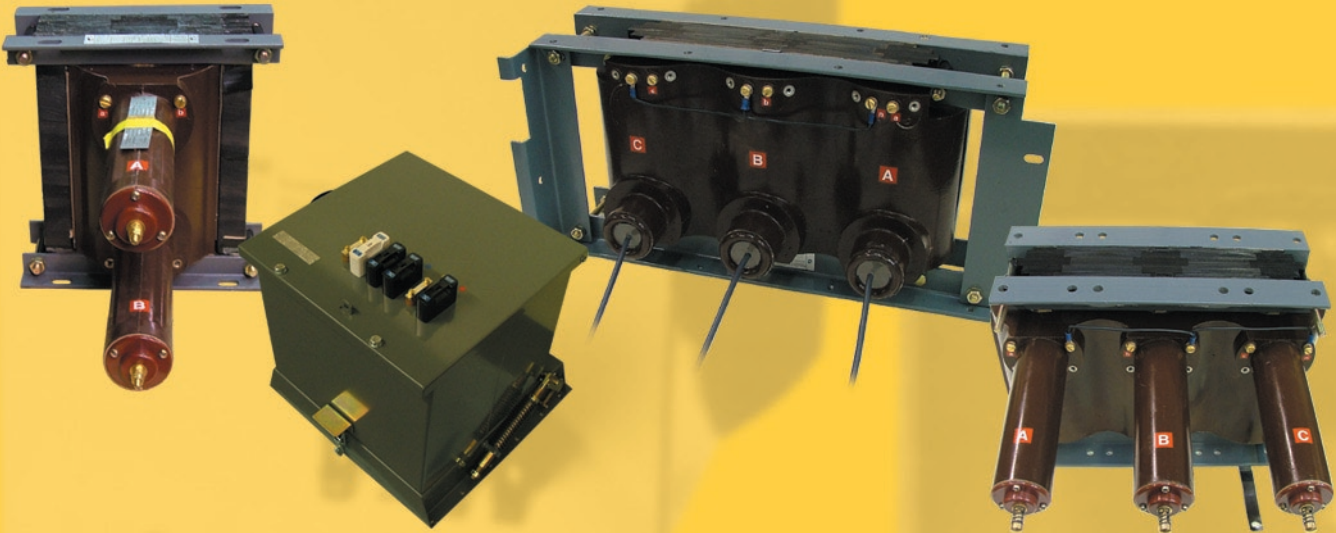




Transmag (UK) Limited

# Cast Resin Voltage Transformers

Instrument Transformers Solution & Technology



## Introduction

Our range of cast resin voltage transformers are backed by our many years experience, & our excellent technical expertise, which allows us to meet various individual requirements & specifications. They are widely incorporated in most UK. switchgear manufacturers equipment, for duties in instrument control, metering & protection.

As a resin cast unit they can be supplied in a withdrawable or hinged sheet steel enclosure, colour matched to suit your requirements.

## Standards

Designs to meet the requirements of BS 7625, BSEN 60044-2, Australian, American and Canadian standards, as well as customers specific requirements. Routine tests are carried out on each unit and test certification supplied. All our voltage transformers are ROHS compliant

## Construction

**Resin Cast Type:-** The 3ph / 1ph open style transformer illustrated has a core clamped top and bottom using angle iron section, drilled for customer fixing. The windings are vacuum dried and impregnated prior to encapsulation with epoxy or polyurethane resin. H.V. HRC fuses are mounted inside the insulated terminal spouts, which in turn are fitted with spring-loaded contact caps or stud terminals. L.V. fuses can also be supplied on enclosed units.

Alternatively we manufacture 3 Phase & Single Phase Cast Resin Transformers without HV fuses, terminated with High Voltage Flexible Leads.

### Transmag (UK) Limited

Email: [enquires@transmaguk.co.uk](mailto:enquires@transmaguk.co.uk)

Units 2 & 3 St Andrews

Bayly Works

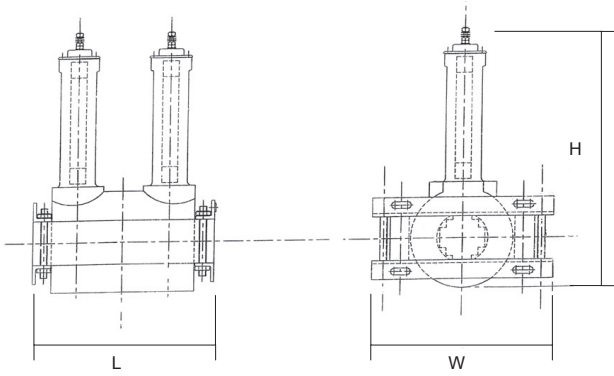
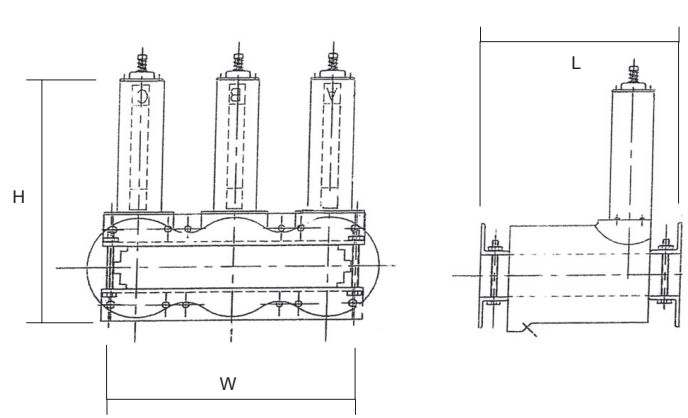
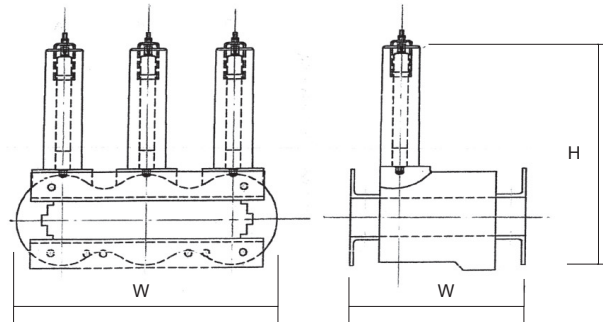
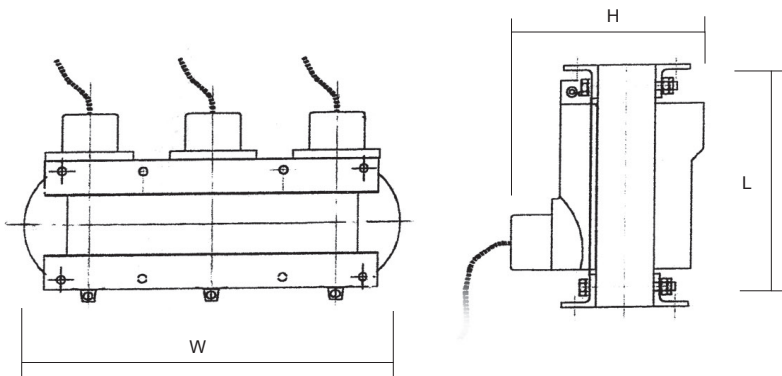
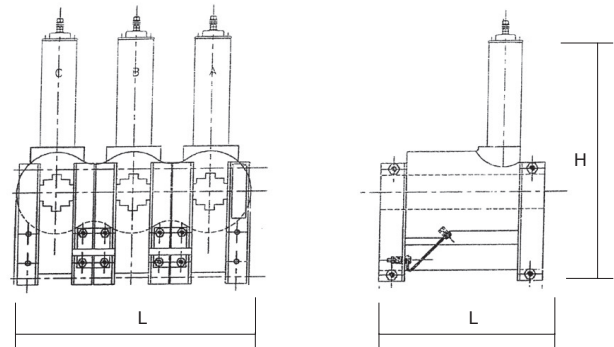
Great Barr Street

Birmingham, West Midlands B9 4BB

Tel: +44 (0) 121 753 4390 Fax: +44 (0) 121 773 9369

For further information please visit our web site at: <http://www.transmaguk.co.uk>



**TMVTR (1)****TMVTR (3)****TMVTR (SI)****TMVTUF (3)****TMVTR (5)**

ALL DIMENSIONS IN MILLIMETRES				
TYPE	L	W	H	GA
TMVTR(1)	290	390	290	TD2658
TMVTR(3)	328	393	328	TD1878
TMVTR(5)	328	471	328	TD1933
TMVTUF(3)	291	454	225	ID.0035
TMVTR(SI)	300	454	393	ID.0788

**Specification**

\*The primary winding can be designed with a voltage level of up to 12KV. The secondary voltage to suit customers requirements, but would usually be 110V.

Transformer ratings up to 400VA\* can be supplied as a single phase, three phase, three limb and three phase five limb arrangements with more than one secondary winding if required.

*\*Higher voltage levels available upon request.*

*\*For BS EN 60044-2 VA would be 100VA or less*