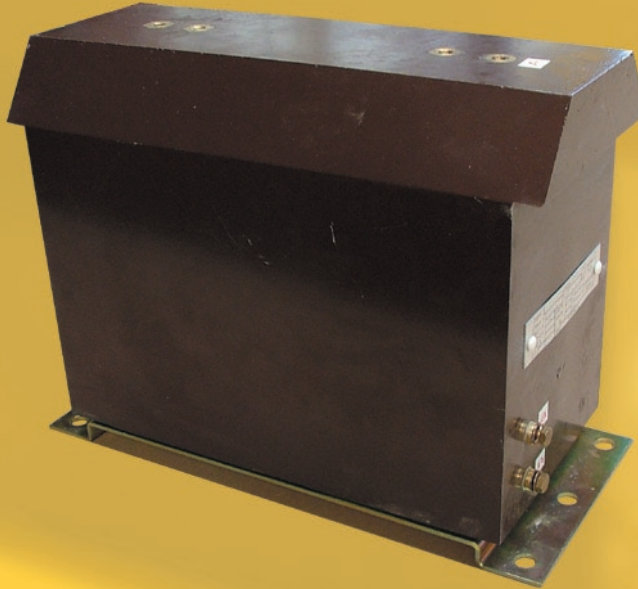




Transmag (UK) Limited

TMG/TMP Cast Resin Voltage Transformers



Introduction

Our range of cast resin voltage transformers are backed by our many years experience, & our excellent technical expertise, which allows us to meet various individual requirements & specifications. They are widely incorporated in most UK. switchgear manufacturers equipment, for duties in instrument control, metering & protection.

Standards

Designed to meet requirements of BS 7626, BSEN 60044-2, Australian, American & Canadian standards, as well as customers specific requirements. Routine tests are carried out on each unit and test certification supplied. Designed to meet BSEN 60044-2, ANS, C57.13, CAN3 C13, AS 1675. All our voltage transformers are ROHS compliant.

Construction

Cast resin block complete with core & coils mounted onto a stainless steel mounting plate. Dimensions as per diagram.

Indoor Single or Double pole Voltage Transformers for AC measurement of voltages of 13.8KV.

Transmag (UK) Limited

Email: enquires@transmaguk.co.uk

Units 2 & 3 St Andrews

Bayly Works

Great Barr Street

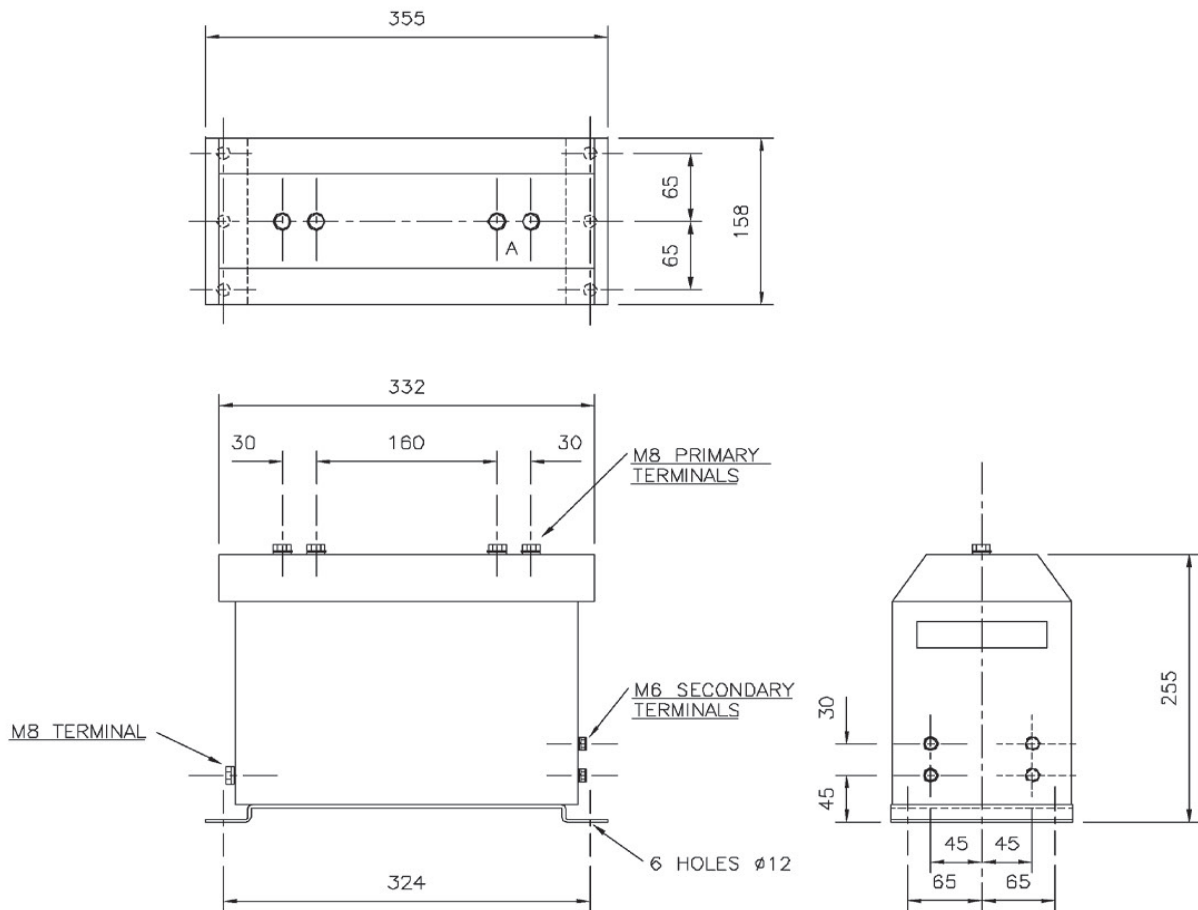
Birmingham, West Midlands B9 4BB

Tel: +44 (0) 121 753 4390 Fax: +44 (0) 121 773 9369

For further information please visit our web site at: <http://www.transmaguk.co.uk>



TMG/TMP



TECHNICAL DATA

	TYPE TMG	TYPE TMP
Connection:	Line to Ground	Line to Line
Max Voltage (Primary):	Up to 13.8KV $\sqrt{3}$	Up to 13.8KV
Second Voltage:	100 $\sqrt{3}$ /V 110 $\sqrt{3}$ /V	100 V - 110 V
Frequency:	50-60Hz	50-60Hz
Rated Output:	Up to 200VA	Up to 200VA
Accuracy Class:	0.2-0.5-1-3-3P-6P	0.2-0.5-1-3-3P-6P
Voltage Factor:	1.9 for 8 Hours	1.2 Continuous
Insulation Level:	3.6/10/40 to 12/28/75KV	3.6/10/40 to 12/28/75KV
Insulation Class:	'E' or 'B'	'E' or 'B'
Standards:	BSEN 60044-2. ANSI.-C57.13.	CAN3 C13. AS1675.

Higher primary Voltages can be accommodated up to 13.8V on request

TYPE	INSULATION LEVEL	0.2	0.5	1.0	1/3P	1/6P
TMG3	3.6/10/40KV	30VA	100VA	200	200VA	200VA
TMG7	7.2/20/60KV	30VA	100VA	200	200VA	200VA
TMG12	12/28/75KV	30VA	100VA	200	200VA	200VA
TMP-3	3.6/10/40KV	30VA	100VA	200	200VA	200VA
TMP-7	7.2/20/60KV	30VA	100VA	200	200VA	200VA
TMP-12	12/28/75KV	30VA	100VA	200	200VA	200VA

***Primary fuse & mounting arrangement are available on request.**